

# 1-100.01 Quarter-Turn Pr20.1 L18

Tool operable, IP65/67, Low Profile, Optional pre-assembly



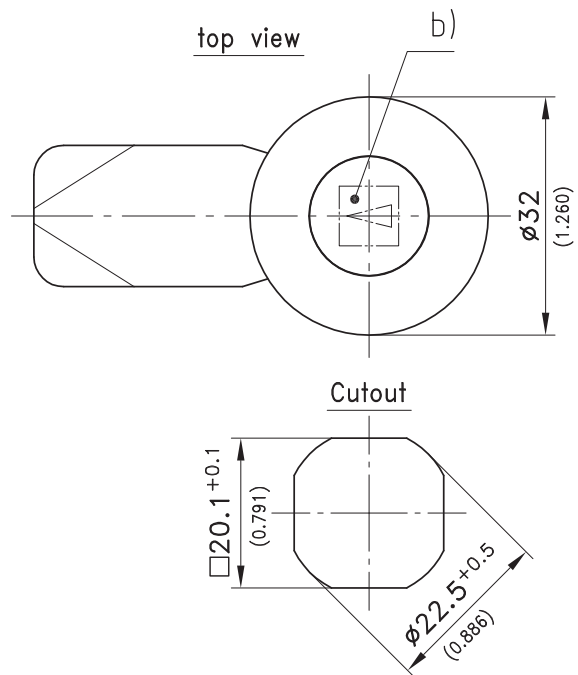
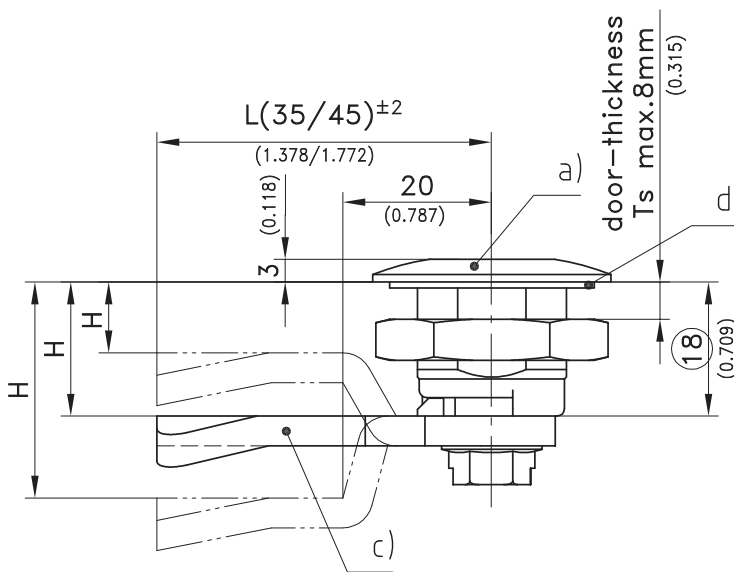
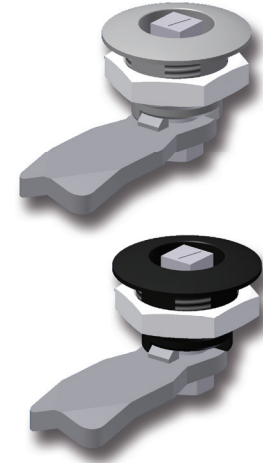
## Product Notes:

- RH and LH application
- Quarter-Turn consists of three basic parts which can be combined to fit application
- Water and dust tight according to IP65/67, DIN EN 60529 with flat external seal and O-Rings
- Components can be pre-assembled by DIRAK upon request
- A pre-assembled Quarter-Turn can be installed through the cutout
- Grounding achieved with grounding clip

- Other zinc die - see Product System 1-100
- Tool-less installation - see Product System 1-083SL and 1-082SL
- Stainless steel - see Product System 7-080 and 7-080.01

## Material:

- **Housing:** Zinc Die, Chrome Plated or Black
- **Nut:** Steel, Zinc Plated
- **Grounding Nut:** Zinc Die, Untreated
- **Grounding Clip:** Stainless Steel



a)	<b>Housing Ø32</b>	<b>zinc die, chrome plated</b>	<b>zinc die, black</b>	<b>See Page</b>
	<b>with nut</b>	<b>100-9053</b>	<b>100-9056</b>	
	<b>with grounding nut</b>	<b>100-9054</b>	<b>100-9057</b>	
	<b>with nut and grounding clip</b>	<b>100-9055</b>	<b>100-9058</b>	
b)	<b>Inserts</b>			<b>01.98, 01.99</b>
c)	<b>Cams</b>			<b>01.101</b>
c1)	<b>Special cams</b>			<b>01.103, 01.104, 01.102</b>
	<b>Keys</b>			<b>10.18, 10.20</b>
	<b>Other accessories</b>			<b>01.105, 01.106, 01.107</b>

## Optional:

Water-and dust-tight according to IP65 by:

	<b>O-ring 12x2mm</b>	<b>200-1001</b>	<b>200-1001</b>
--	----------------------	-----------------	-----------------

## d) Flat external seal

**200-0901**

**200-0901**

Water- and dust-tight according to IP67 by additional:

	<b>O-ring 10x2mm</b>	<b>200-1002</b>	<b>200-1002</b>
--	----------------------	-----------------	-----------------

**Assembling of cam, without O-ring**

**200-0001**

**200-0001**

**Assembling of cam, with O-ring**

**200-0002**

**200-0002**